

..... **WIREMOLD**

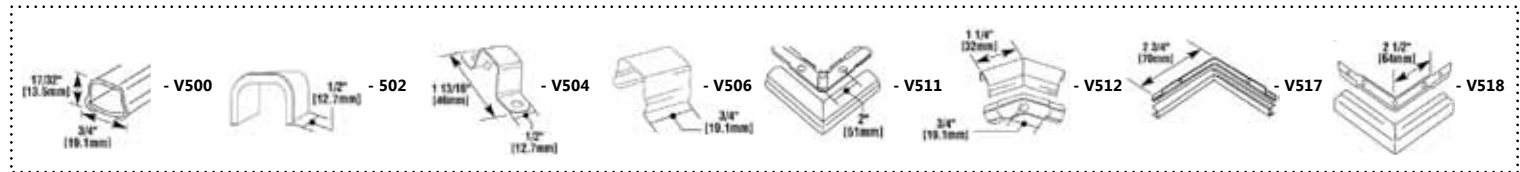
Steel surface raceway systems / Nonmetallic surface raceway systems / Aluminum surface raceway systems / Specialty raceways & Accessories / Plugmold® Multioutlet systems

## Steel surface raceway systems

### One-Piece Steel raceways

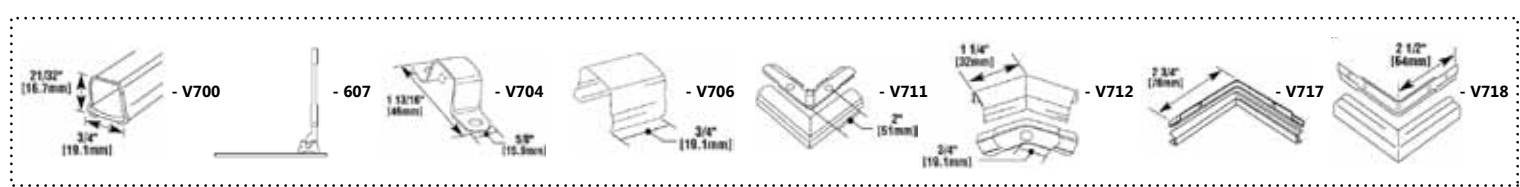
#### 500 Series

Description	Material	Finish	Mfr.Part	SKU
One-piece raceway	Steel	Ivory	V500	M48464
Bushing			502	M48455
Mounting Strap	Steel	Ivory	V504	M48465
Connection Cover	Steel	Ivory	V506	M48466
90° Flat Elbow	Steel	Ivory	V511	M48467
45° Flat Elbow	Steel	Ivory	V512	M48468
Internal Elbow	Steel	Ivory	V517	M48469
External Elbow	Steel	Ivory	V518	M48470



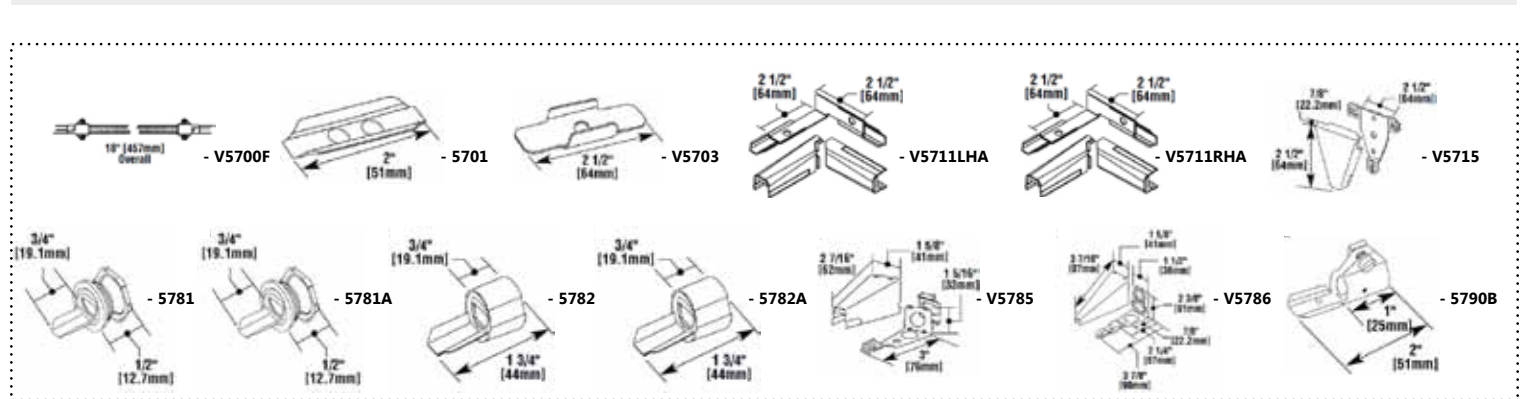
#### 700 Series

Description	Material	Finish	Mfr.Part	SKU
One-piece Raceway	Steel	Ivory	V700	M48503
700 Series Raceway Cutter			607	M48463
Mounting Strap	Steel	Ivory	V704	M48504
Connection Cover	Steel	Ivory	V706	M48505
90° Flat Elbow	Steel	Ivory	V711	M48506
45° Flat Elbow	Steel	Ivory	V712	M48507
Internal Elbow	Steel	Ivory	V717	M48508
External Elbow	Steel	Ivory	V718	M48509



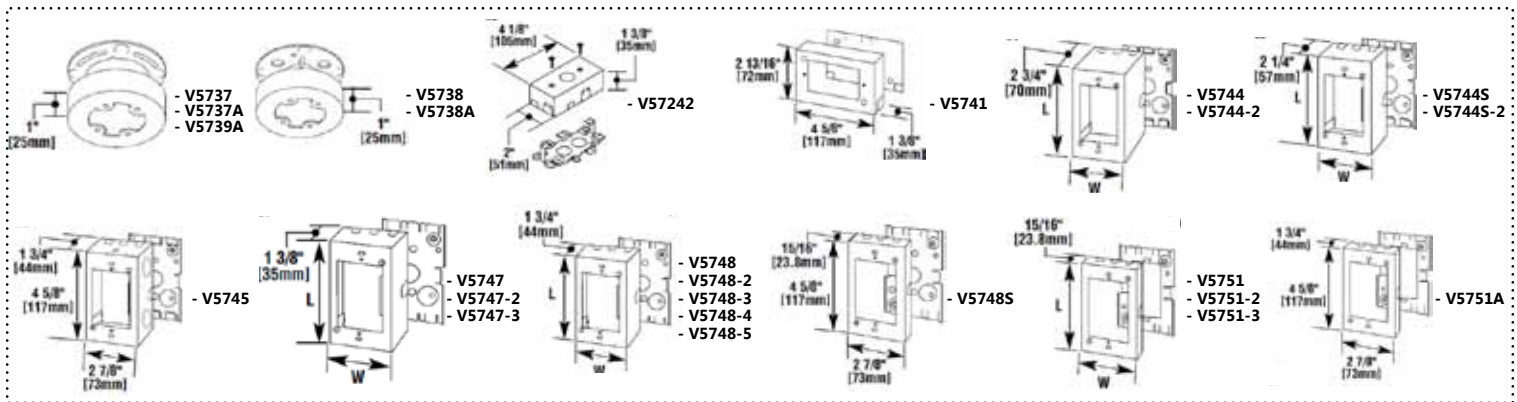
#### 500 & 700 Series Raceway

Description	Material	Mounting	Finish	Mfr.Part	SKU
Flexible Section	Steel			V5700F	M48471
Coupling	Steel		Plated	5701	M48456
Supporting Clip	Steel	Screw	Ivory	V5703	M48472
Internal Twist Elbow Left Hand	Steel		Ivory	V5711LHA	M48473
Internal Twist Elbow Right Hand	Steel		Ivory	V5711RHA	M48474
Tee Fitting	Steel		Ivory	V5715	M48475
Box Connector (Galvanized), 1/2" Male	Steel	Screw	Plated	5781	M48457
Box Connector (Galvanized), 3/4" Male	Steel	Screw	Plated	5781A	M48458
Conduit Connector (Galvanized), 1/2" Female	Steel		Plated	5782	M48459
Conduit Connector (Galvanized), 3/4" Female	Steel		Plated	5782A	M48460
Combination Connector	Steel		Ivory	V5785	M48501
Adjustable Offset Connector	Steel		Ivory	V5786	M48502
Armored Cable Connector	Steel		Plated	5790B	M48461



## 500 & 700 series raceways device boxes

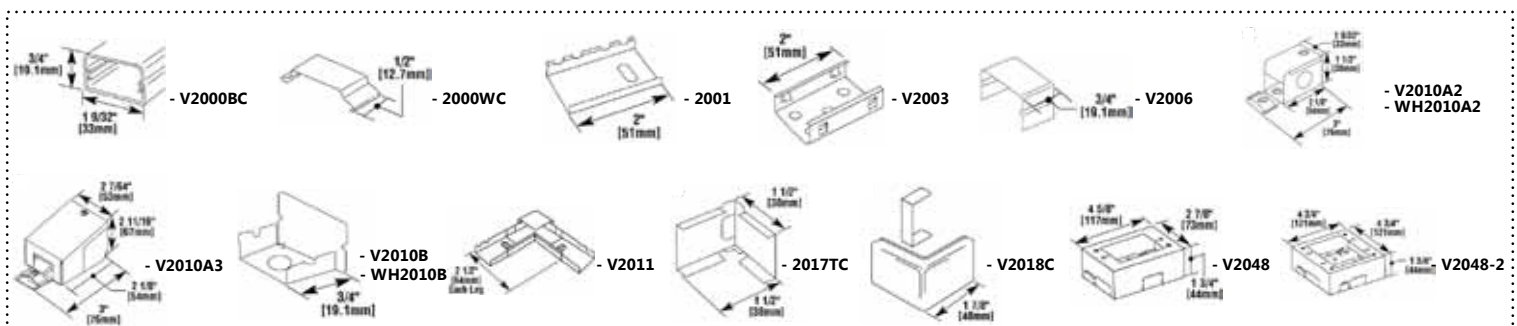
Description	Material	Diameter	Finish	Gang	Mfr.Part	SKU
Open base extension box	Steel	4.75"	Ivory		V5737	M48477
Open base extension box	Steel	5.50"	Ivory		V5737A	M48478
Open base extension box	Steel	6.75"	Ivory		V5739A	M48481
Solid base fixture box	Steel	4.75"	Ivory		V5738	M48479
Solid base fixture box	Steel	5.50"	Ivory		V5738A	M48480
Utility box	Steel		Ivory		V57242	M48476
Switch & receptacle box	Steel		Ivory		V5741	M48482
Extra deep switch & receptacle box	Steel		Ivory	1	V5744	M48483
Extra deep switch & receptacle box	Steel		Ivory	2	V5744-2	M48484
Deep switch & receptacle box	Steel		Ivory	1	V5744S	M48485
Deep switch & receptacle box	Steel		Ivory	2	V5744S-2	M48486
Combination switch & receptacle box	Steel		Ivory	1	V5745	M48487
Shallow switch & receptacle box	Steel		Ivory	1	V5747	M48488
Shallow switch & receptacle box	Steel		Ivory	2	V5747-2	M48489
Shallow switch & receptacle box	Steel		Ivory	3	V5747-3	M48490
Switch & receptacle box	Steel		Ivory	1	V5748	M48491
Switch & receptacle box	Steel		Ivory	2	V5748-2	M48492
Switch & receptacle box	Steel		Ivory	3	V5748-3	M48493
Switch & receptacle box	Steel		Ivory	4	V5748-4	M48494
Switch & receptacle box	Steel		Ivory	5	V5748-5	M48495
Shallow switch & receptacle box	Steel		Ivory	1	V5748S	M48496
Flush type extension adapter	Steel		Ivory	1	V5751	M48497
Flush type extension adapter	Steel		Ivory	2	V5751-2	M48498
Flush type extension adapter	Steel		Ivory	3	V5751-3	M48499
Deep flush type - extension adapter	Steel		Ivory	1	V5751A	M48500



## Two-piece small single & dual channel raceway profiles

### 2000® Series Raceway

Description	Material	Finish	Includes	Mfr.Part	SKU
Raceway base & cover		Ivory		V2000BC	M47480
Wire clip (Galvanized) - For use when conductors by-pass receptacles	Steel			2000WC	M47477
Coupling (Galvanized) - For coupling lengths of 2000B	Steel			2001	M47478
Supporting clip - For supporting lengths		Ivory		V2003	M47481
Cover clip - For covering joint where lengths of cover or base adjoin		Ivory		V2006	M47482
Entrance end fitting - For connecting V2000 with 1/2" trade size conduit and armored cable connectors		Ivory	Ground screw	V2010A2	M47483
Entrance end fitting - For connecting V2000 with 1/2" trade size conduit and armored cable connectors		White	Ground screw	WH2010A2	M48510
Entrance end fitting - Use with 2000 Series Raceway		Ivory	Ground screw	V2010A3	M47484
Blank end fitting - For closing the open end of 2000 Series Raceway		Ivory		V2010B	M47485
Blank end fitting - For closing the open end of 2000 Series Raceway		White		WH2010B	M48511
Flat end fitting - For right angle turns on same surface		Ivory		V2011	M47486
Internal corner coupling - Furnished with one fiber busing				2017TC	M47479
External elbow cover - To continue raceway runs around outside corner		Ivory		V2018C	M47487
Single-gang device box		Ivory		V2048	M47488
Two-gang device box		Ivory		V2048-2	M47489



# WIREMOLD

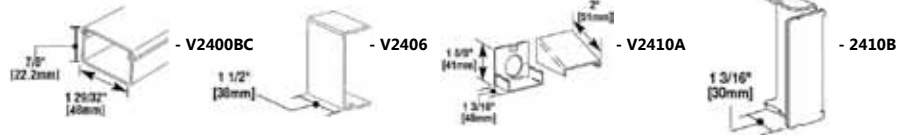
## Plugmold 2000 Series prewired Raceway

Amps (A)	Voltage (V)	NEMA	Outlet center distance	Length	Number of outlets	Finish	Includes	Mfr.Part	SKU
15	125	5-15R	6"	3'	6	Ivory	Two end caps	V20GB306	M47490
15	125	5-15R	6"	5'	10	Ivory	Two end caps	V20GB506	M47491
15	125	5-15R	12"	5'	5	Ivory	Two end caps	V20GB512	M47492
15	125	5-15R	6"	6'	12	Ivory	Two end caps	V20GB606	M47493
15	125	5-15R	9"	6'	8	Ivory	Two end caps	V20GB609	M47494
15	125	5-15R	12"	6'	6	Ivory	Two end caps	V20GB612	M47495
15	125	5-15R	6"	3'	6	White	Two end caps	WH20GB306	M48512
15	125	5-15R	6"	5'	10	White	Two end caps	WH20GB506	M48513
15	125	5-15R	12"	5'	5	White	Two end caps	WH20GB512	M48514
15	125	5-15R	6"	6'	12	White	Two end caps	WH20GB606	M48515



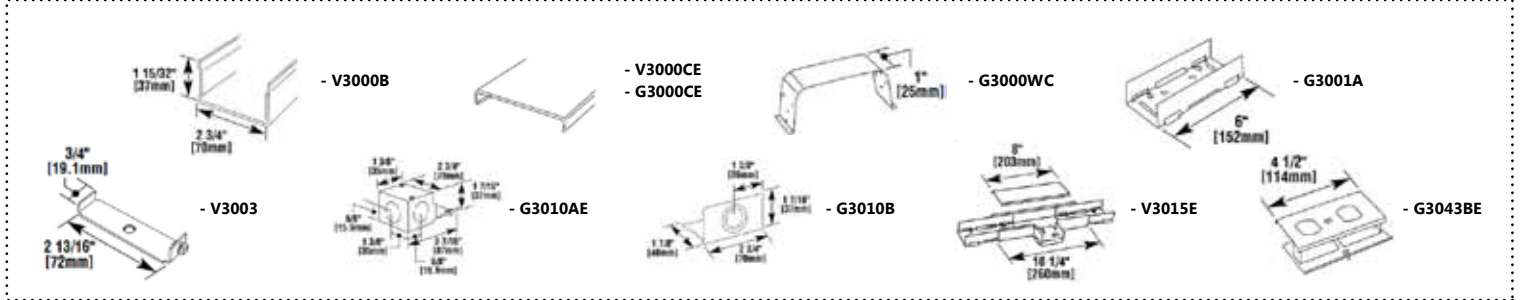
## 2400 Sereis™ Raceway

Description	Finish	Mfr.Part	SKU
Raceway base & cover	Ivory	V2400BC	M47810
Cover clip	Ivory	V2406	M47811
Entrance end fitting	Ivory	V2410A	M47812
Blank end fitting	Ivory	v2410B	M47813



## 3000® Series Raceway

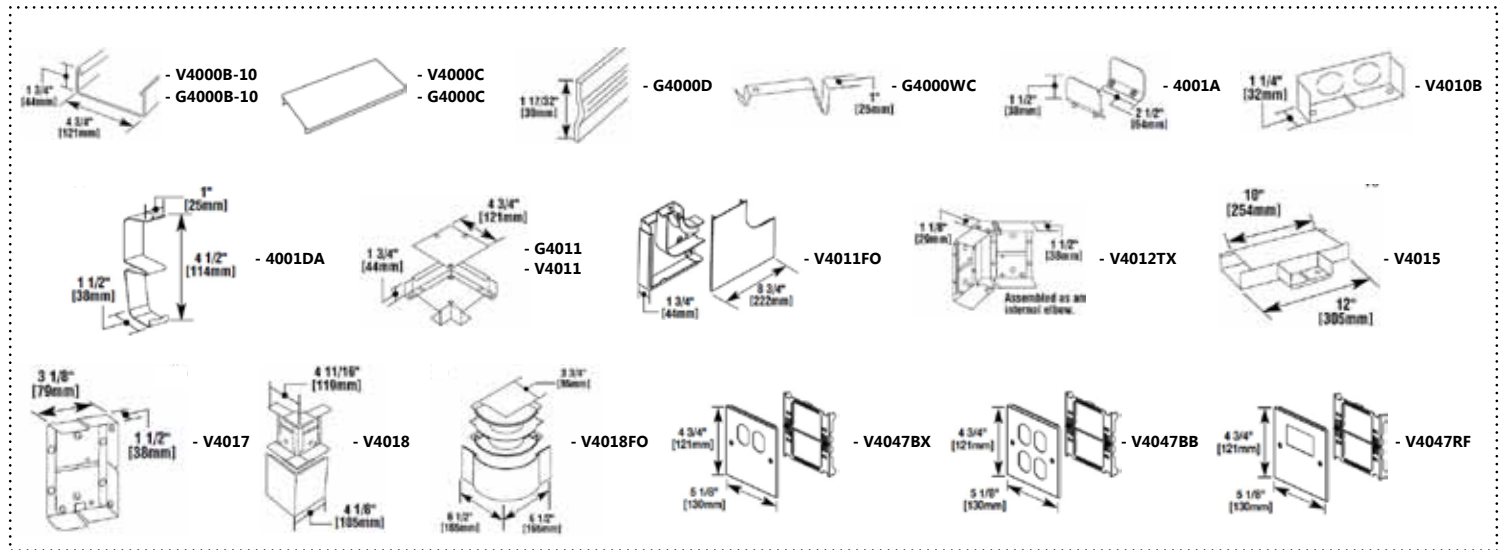
Description	Material	Cover Type	Finish	Mfr.Part	SKU
Raceway base	Steel	Removable	Durable Scuffcoat - Ivory	V3000B	M47822
Raceway base	Steel	Removable	Gray	G3000B	M47815
Raceway cover	Steel		Ivory	V3000CE	M47823
Raceway cover	Steel		Gray	G3000CE	M47816
Wire clip (Galvanized)	Steel		Gray (Plated)	G3000WC	M47817
Rigid inside coupling	Unpainted Galvanized Steel		Gray	G3001A	M47818
Supporting clip	Steel		Ivory	V3003	M47824
Entrance end fitting	Steel		Gray	G3010AE	M47819
Blank end fitting	Steel		Gray	G3010B	M47820
Tee fitting	Steel		Ivory	V3015E	M47973
Duplex grounding receptacle cover	Steel		Gray	G3043BE	M47821



# WIREMOLD

## 4000® Series Raceway

Description	Material	Finish	Mfr.Part	SKU
Raceway base	Steel	Ivory	V4000B-10	M47832
Raceway base	Steel	Gray	G4000B-10	M47826
Raceway cover	Steel	Ivory	V4000C	M47833
Raceway cover	Steel	Gray	G4000C	M47827
Divider	Steel	Gray	G4000D	M47828
Wire clip (Galvanized)	Steel	Gray (Plated)	G4000WC	M47829
Coupling (Galvanized)		Plated	4001A	M48518
Divider clip (Galvanized)	Steel	Plated	4001DA	M47830
Blank end fitting	Steel	Ivory	V4010B	M47834
Flat elbow	Steel	Ivory	V4011	M47836
Flat elbow	Steel	Gray	G4011	M47831
Radiused full capacity flat elbow	Steel	Ivory	V4011FO	M47837
Internal or external 45° elbow	Steel	Ivory	V4012TX	M47838
Full capacity tee	Steel	Ivory	V4015	M47839
Internal elbow	Steel	Ivory	V4017	M47840
External elbow fitting	Steel	Ivory	V4018	M47841
Radiused external elbow	Steel	Ivory	V4018FO	M47842
Two-gang cover one duplex receptacle	Steel	Ivory	V4047BX	M47844
Two-gang cover duplex & modular furniture	Steel	Ivory	V4047BB	M47843
Two-gang cover rectangular opening & modular furniture	Steel	Ivory	V4047RF	M47845



# WIREMOLD

## Nonmetallic surface raceway systems

### Low-voltage single-channel raceway systems

#### Uniduct® 2700 series raceway

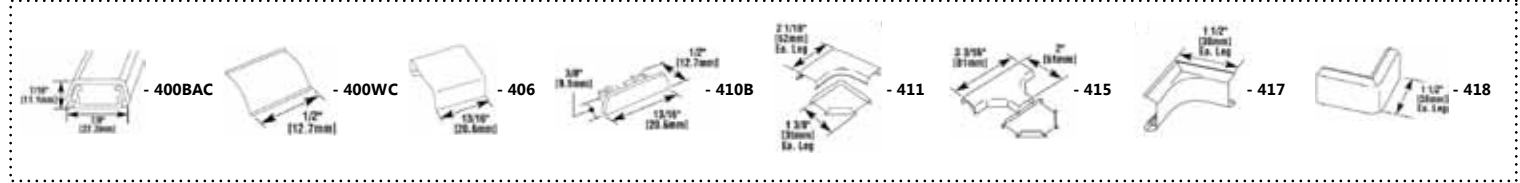
Description	Color	Mfr.Part	SKU
One-piece latching raceway	White	2700-WH	M48528
Cover clip		2706-WH	M48529
Blank end fitting		2710B-WH	M48530
90° Flat elbow	White	2711-WH	M48531
Internal elbow	White	2717-WH	M48532
External elbow	White	2718-WH	M48533
Drop ceiling connector	White	2786-WH	M48534



### Power-rated single - & dual-channel raceway systems

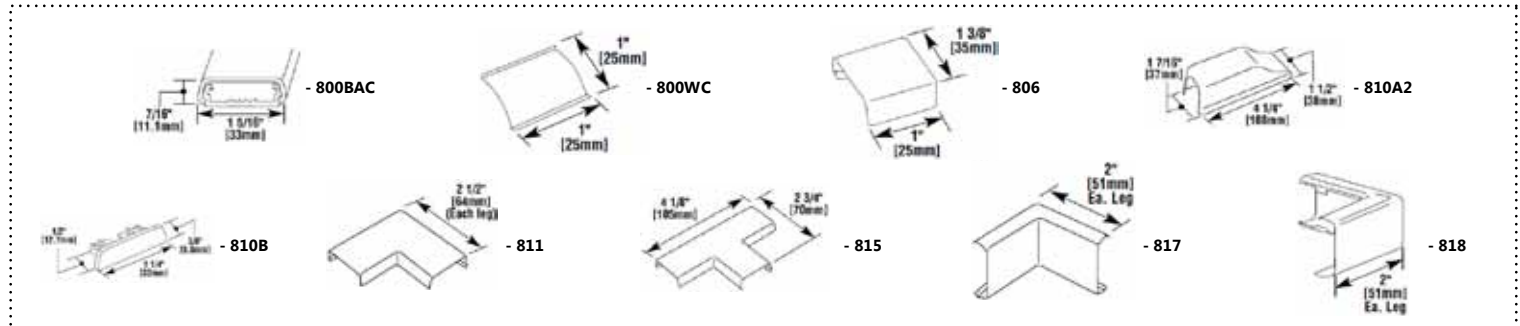
#### 400 Series raceway

Description	Material	Mounting	Finish	Mfr.Part	SKU
Raceway base & cover	PVC	Adhesive	Ivory	400BAC	M47419
Wire clip	PVC	Snap-On	Ivory	400WC	M47420
Cover clip	PVC	Snap-On	Ivory	406	M47421
Blank end fitting	PVC	Snap-On	Ivory	410B	M47422
Flat elbow	PVC	Snap-On	Ivory	411	M47423
Tee fitting	PVC	Snap-On	Ivory	415	M47424
Internal elbow	PVC	Snap-On	Ivory	417	M47425
90° external elbow	PVC	Snap-On	Ivory	418	M47426



#### 800 Series raceway

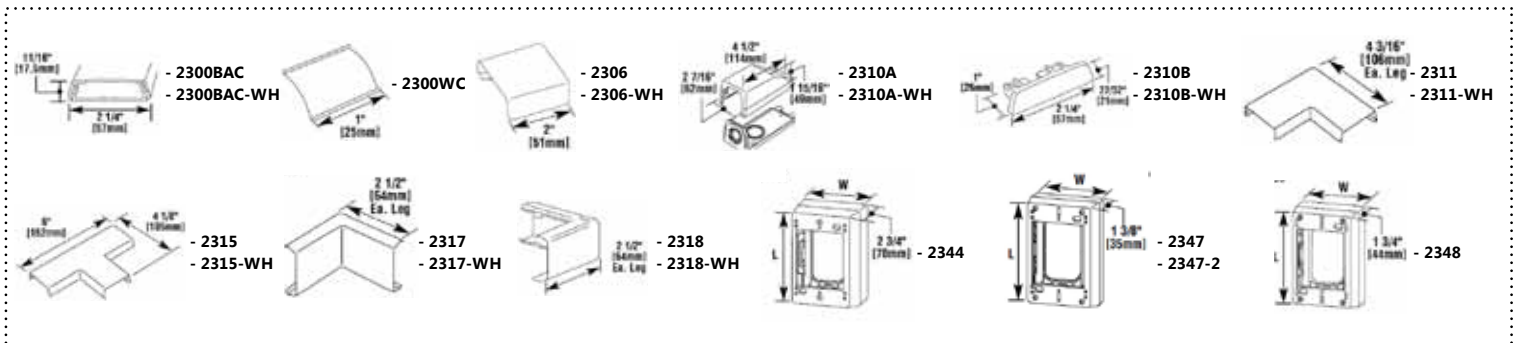
Description	Material	Mounting	Finish	Mfr.Part	SKU
Raceway base & cover	PVC	Adhesive	Ivory	800BAC	M47427
Wire clip	PVC	Snap-On	Ivory	800WC	M47428
Cover clip	PVC	Snap-On	Ivory	806	M47429
Entrance end fitting	PVC	Snap-On	Ivory	810A2	M47430
Blank end fitting	PVC	Snap-On	Ivory	810B	M47431
Flat elbow	PVC	Snap-On	Ivory	811	M47432
Tee fitting	PVC	Snap-On	Ivory	815	M47433
Internal elbow	PVC	Snap-On	Ivory	817	M47434
External elbow	PVC	Snap-On	Ivory	818	M47435





## 2300/2300D Series raceway

Description	Material	Mounting	Finish	Mfr.Part	SKU
Raceway base & cover	PVC	Adhesive	Ivory	2300BAC	M47399
Raceway base & cover	PVC	Adhesive	White	2300BAC-WH	M47398
Wire clip	PVC	Snap-On	Ivory	2300WC	M47400
Cover clip	PVC	Snap-On	Ivory	2306	M47401
Cover clip	PVC	Snap-On	White	2306-WH	M47402
Entrance end fitting	PVC	Snap-On	Ivory	2310A	M47403
Entrance end fitting	PVC	Snap-On	White	2310A-WH	M47404
Blank end fitting	PVC	Snap-On	Ivory	2310B	M47405
Blank end fitting	PVC	Snap-On	White	2310B-WH	M47406
Flat elbow	PVC	Snap-On	Ivory	2311	M47407
Flat elbow	PVC	Snap-On	White	2311-WH	M47408
Tee fitting	PVC	Snap-On	Ivory	2315	M47409
Tee fitting	PVC	Snap-On	White	2315-WH	M47410
Internal elbow	PVC	Snap-On	Ivory	2317	M47411
Internal elbow	PVC	Snap-On	White	2317-WH	M47412
External elbow	PVC	Snap-On	Ivory	2318	M47413
External elbow	PVC	Snap-On	White	2318-WH	M47414
1-gang device box	PVC	Snap-On	Ivory	2344	M47415
1-gang device box	PVC	Snap-On	Ivory	2347	M47416
2-gang device box	PVC	Snap-On	Ivory	2347-2	M47417
1-gang deep device box	PVC	Snap-On	Ivory	2348	M47418

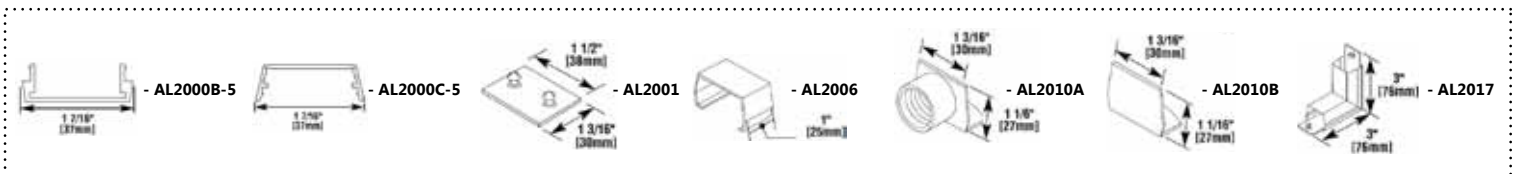


## Aluminum surface raceway systems

### Small Single - & Dual-Channel Raceways

#### AL2000 series raceway

Description	Material	Mfr. Part	SKU
Raceway base	.060" Aluminum	AL2000B-5	M49111
Raceway cover	.060" Aluminum	AL2000C-5	M49112
Coupling (Galvanized steel)		AL2001	M49113
Cover clip (Spring steel)		AL2006	M49114
Feed fitting		AL2010A	M49115
Blank end fitting		AL2010B	M49116
Internal elbow		AL2017	M49117

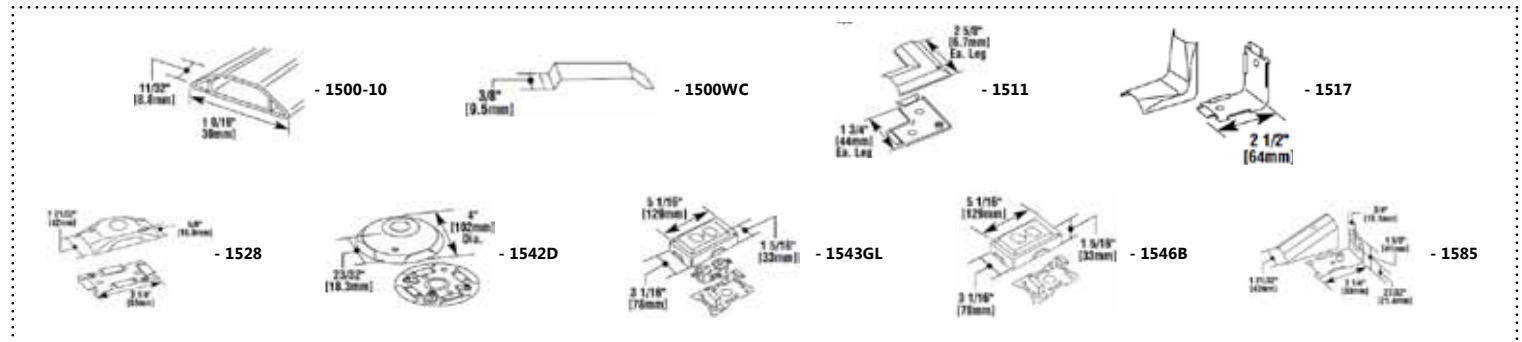


## Specialty raceways & accessories

### Steel Pancake Overfloor Raceway

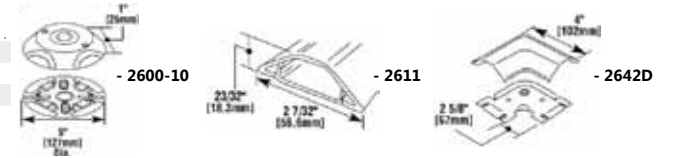
#### 1500 series raceway

Description	Material	Diameter	Finish	Mfr.Part	SKU
Raceway base & cover	Paintable Galvanized steel			1500-10	M47197
Wire clip	Paintable Galvanized steel			1500WC	M47196
90° flat elbow	Paintable Galvanized steel			1511	M47198
Internal elbow	Paintable Galvanized steel			1517	M47199
Utility box	Paintable Galvanized steel			1528	M47200
Junction box	Paintable Galvanized steel	4.00"		1542D	M47201
Grounding duplex receptacle 15A-125V NEMA 5-15R & cover			Gray	1543GL	M47202
Duplex receptacle box			Gray	1546B	M47203
Combination connector	Paintable Galvanized steel			1585	M47204



#### 2600 series raceway

Description	Material	Diameter	Mfr.Part	SKU
Raceway base & cover	Paintable Galvanized steel		2600-10	M47205
90° flat elbow	Paintable Galvanized steel		2611	M47206
Junction box	Paintable Galvanized steel	5.00"	2642D	M47207



## Plugmold® multioutlet systems

### Plugmold® Aluminum Multioutlet Systems

#### NM2000 plugmold plus multioutlet strips

Description	No. of wires	No. of circuits	Amps (A)	Housing	Outlet center distance	Length	Mfr.Part	SKU
Plugmold multi outlet strip	3	1	15	Aluminum	6"	3'	AL20GB306	M49118
Plugmold multi outlet strip	3	1	15	Aluminum	6"	5'	AL20GB506	M49119
Plugmold multi outlet strip	3	1	15	Aluminum	12"	5'	AL20GB512	M49120
Plugmold multi outlet strip	3	1	15	Aluminum	6"	6'	AL20GB606	M49121
Plugmold multi outlet strip	3	1	15	Aluminum	6"	6'	AL20GB618	M49122