

Features:

- Ceramaflow ceramic disc cartridge
- Adjustable volume control
- Adjustable maximum hot water temperature limit stop
- Instant shut off in the event of hot or cold water failure
- Pressure Balance design maintains $\pm 3^{\circ}\text{F}$ temperature range
- Body cast of high copper content brass
- Exposed parts have heavy chrome plated finish
- Working parts can be easily replaced
- 2.5 gpm (9.5 L/min) maximum showerhead @ 80 psi
- 1/2" I.P.S. or 1/2" nominal copper sweat connections
- Brass escutcheon, bonnet and sleeve
- ADA compliant Gerber Hardwater® style zinc metal chrome plated handle operates with less than 5 lbs. of force
- Back to back capability
- Spacer for thin wall installation
- Optional – Extra large escutcheon/cover plate capable of covering 2-3 holes in wall (92-293)
- Zinc die cast spout with internal diverter

Technical Specifications:

- ANSI/ASME A112.18.1M
- ANSI A117.1 (ADA)
- CSA B125

Catalog Numbers:

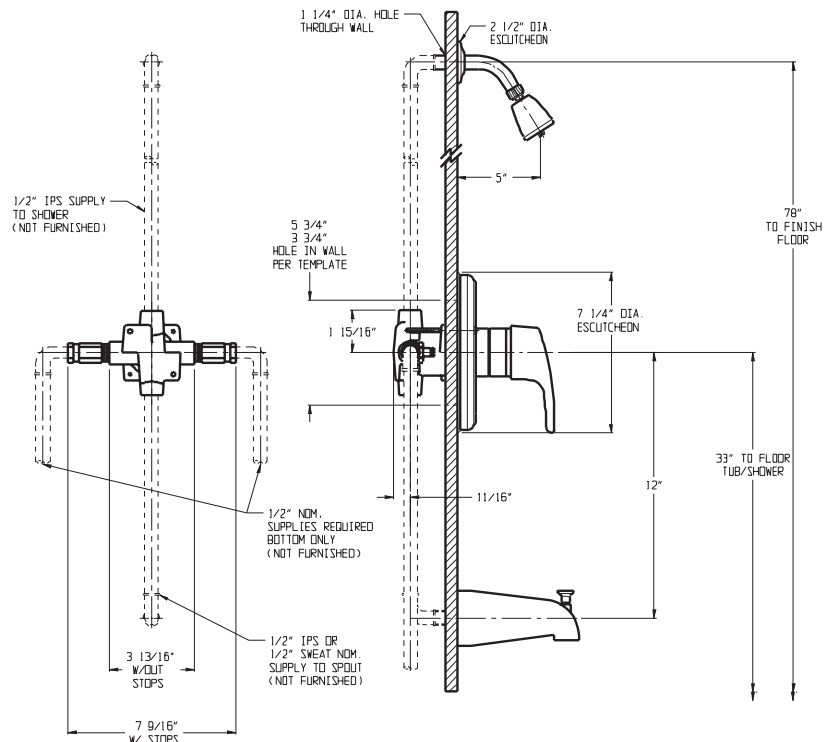
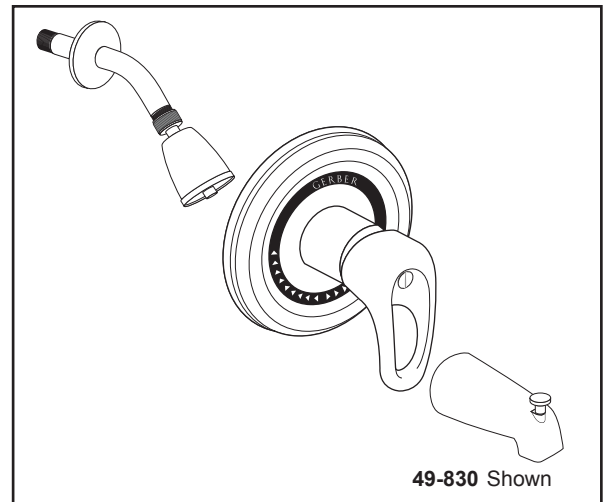
- 49-800** Without Stops, IPS, Chrome
- 49-801** Without Stops, Sweat, Chrome
- 49-803** With Stops, IPS, Chrome
- 49-820** Without Stops, IPS, Chrome
- 49-821** Without Stops, Sweat, Chrome
- 49-825** With Stops, IPS, Chrome
- 49-830** Without Stops, IPS, Chrome
- 49-830-82** Without Stops, IPS, Chrome
- 49-831** Without Stops, Sweat, Chrome
- 49-831-82** Without Stops, Sweat, Chrome
- 49-833** With Stops, IPS, Chrome
- 49-835** With Stops, Sweat, Chrome
- 49-835-82** With Stops, Sweat, Chrome

Prefixes Available:

None

Suffixes Available

-82 Slip Spout Diverter



Job Name	
Date	
Model Specified	
Quantity	
Customer	
Contractor	
Architect/engineer	

GERBER

PROFESSIONAL PERFORMANCE

Gerber Toll Free Technical Support: 888-648-6466
www.gerberonline.com

